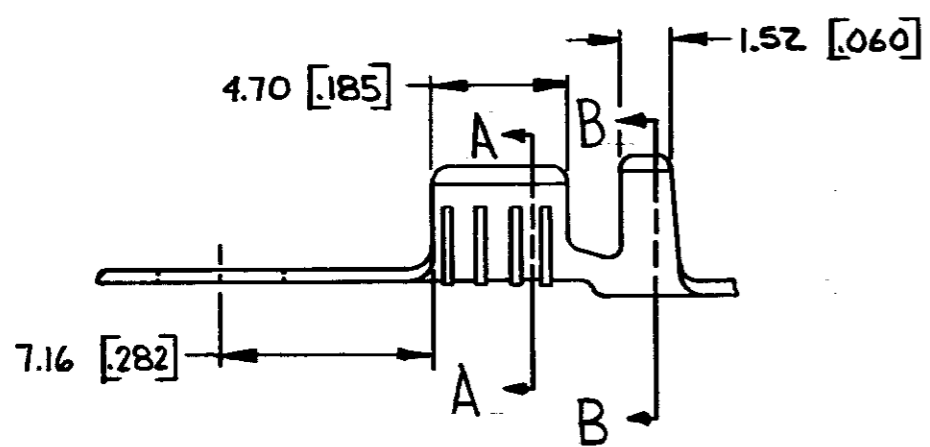
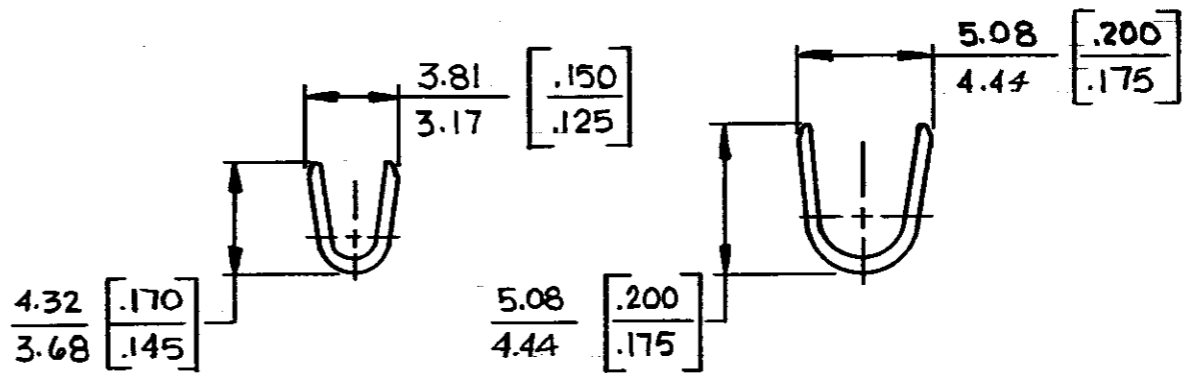
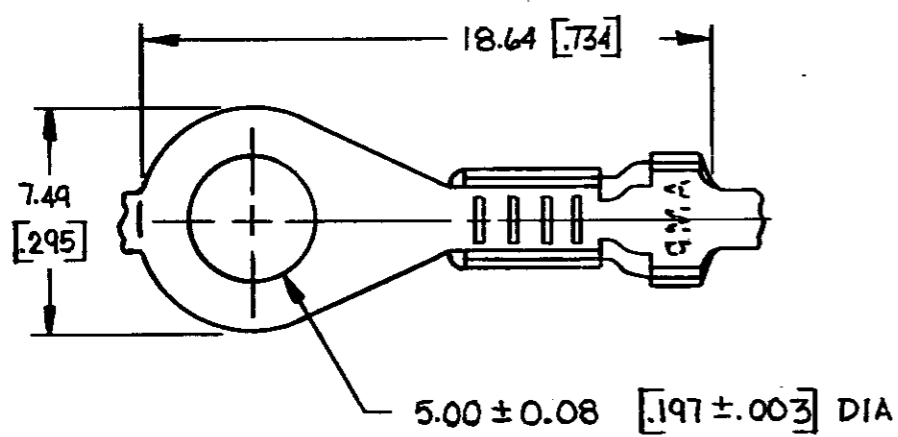


REVISIONS						
P	F	ZONE	LTR	DESCRIPTION	DATE	APPROVED
			F1	REVISED PER ECO-11-005294	13APR11	HMR



"U"-S DOWN	—	0.8-2.0mm ²	2.54 - 3.56	TIN	↑	60772-3
"U"-S UP	#10	[18 - 14]	[.100 - .140]	TIN	↑	60772-2
"U"-S UP				NONE	0.46 [.018] BRASS	60772-1
REEL DIRECTION	STUD SIZE	WIRE RANGE	INSULATION RANGE	FINISH	MATERIAL	PART NO

UNLESS OTHERWISE SPECIFIED DIMENSIONS ARE IN ~~INCHES~~ mm
 TOLERANCES ON:
 DECIMALS ±0.38 [.015]
 ANGLES ± 1° 0'

CONTRACT NO
 DR D. Adin 6-26-78
 CHK J. Hoffmann 7-25-78
 APPD R.P. Frantz 3-8-78
 APPD G. 7 Licks 8-10-78
 DSGN APPD
 OTHER APPD

STE TE Connectivity

NAME: RING

SIZE: B

CODE IDENT NO: 00779

DRAWING NO: 60772

SCALE: — SHEET

- CONTINUOUS STRIP ON REELS
- DIMENSIONS IN BRACKETS ARE IN INCHES

METRIC